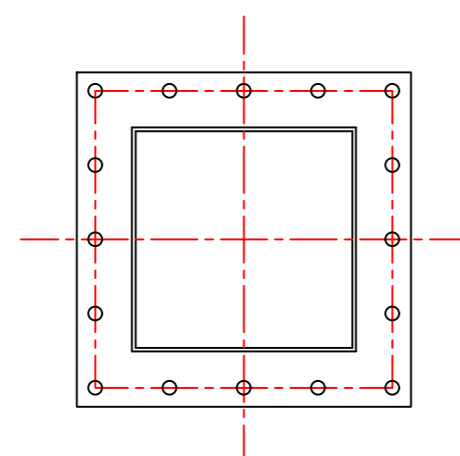
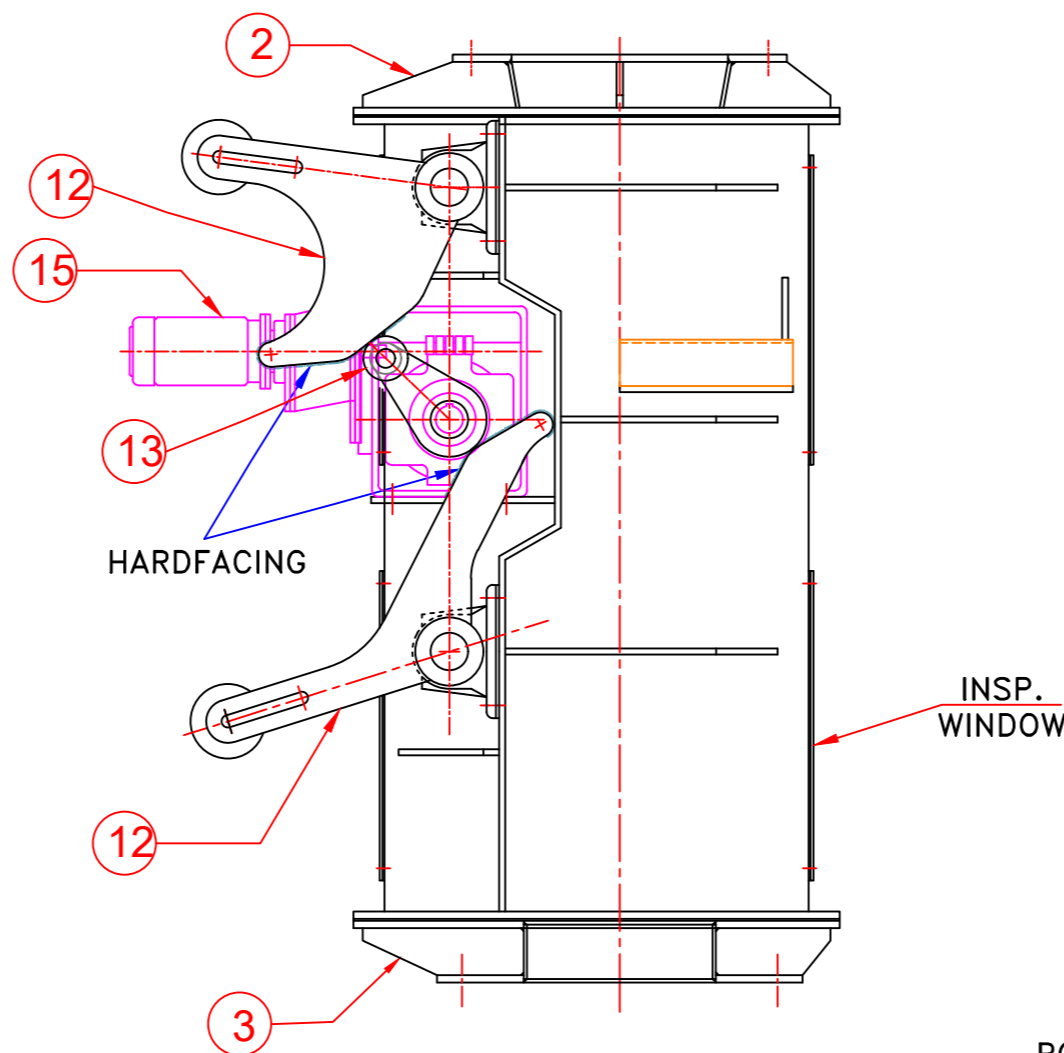


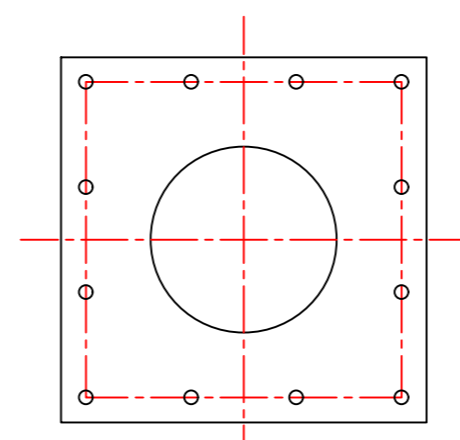
ELEVATION



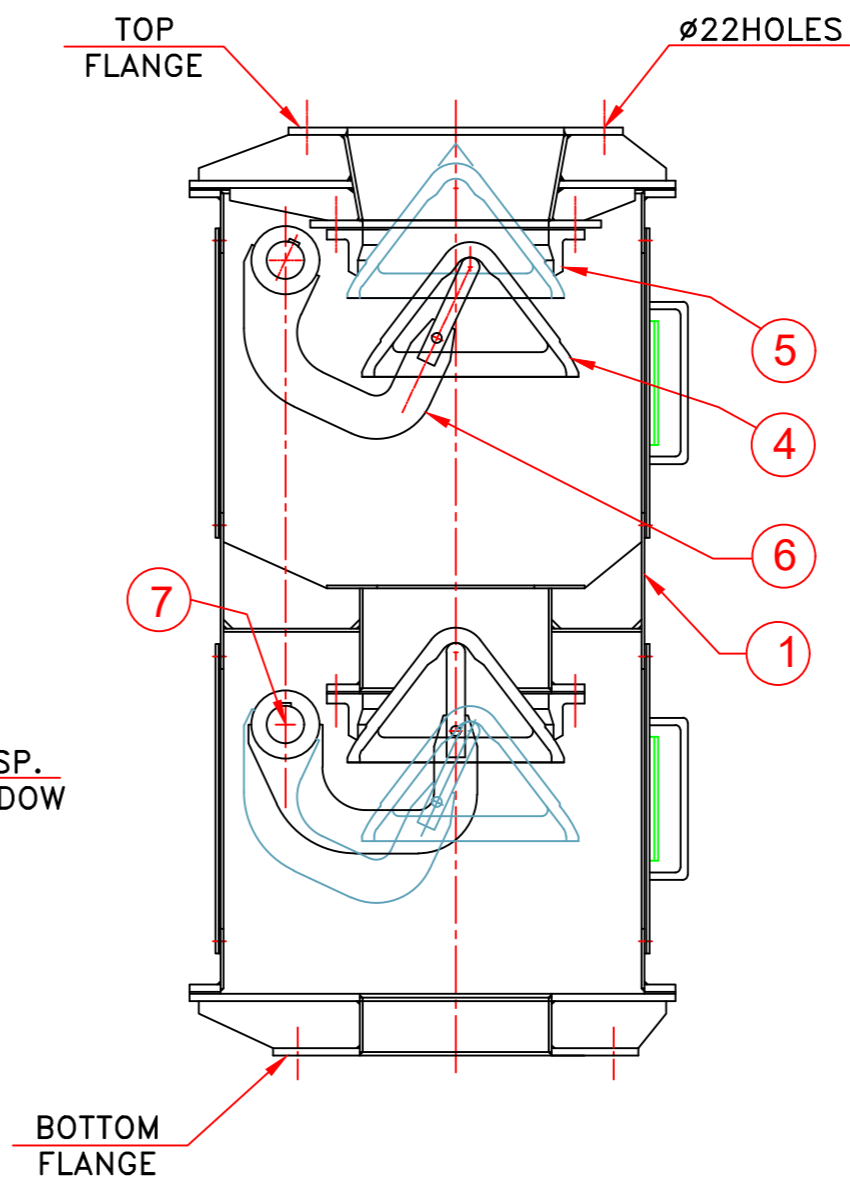
TOP FLANGE  
DETAIL



RHS VIEW



BOTTOM FLANGE  
DETAIL



SECT. X-X

15	GEARED MOTOR	1	
14	PROXIMITY SWITCH	2	
13	CAM FOLLOWER	1	
12	CAM	2	
11	COUNTER WEIGHT	2	
10	GLAND PACKING	1LOT	
9	STUFFING BOX/GLAND	4	
8	BEARING/PLUMMER BLOCK	4	
7	SHAFT	2	
6	CONE LEVER	2	
5	CONE SEAT	2	
4	CONE	2	
3	BOTTOM SPOUT	1	
2	TOP SPOUT	1	
1	MAIN BODY	1	
ITEM	DESCRIPTION	QTY	MATERIAL

**FOURTECKH**  
ENVIRO (I) PVT. LTD.

CLIENT  
CONSULTANT  
PROJECT

DRN - -  
CHKD - -  
APPD - -  
SCALE NTS. -

TITLE-  
G.A. OF ELECTRIC MOTOR  
OPERATED DOUBLE CONE VALVE

JOB No.: - - SHEET 10F1 DRG. NO.: - FEI-000

REV 0